


PRODUCT SHEET

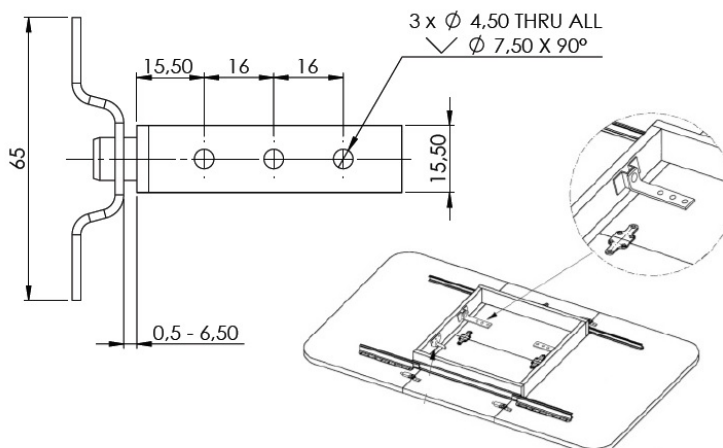
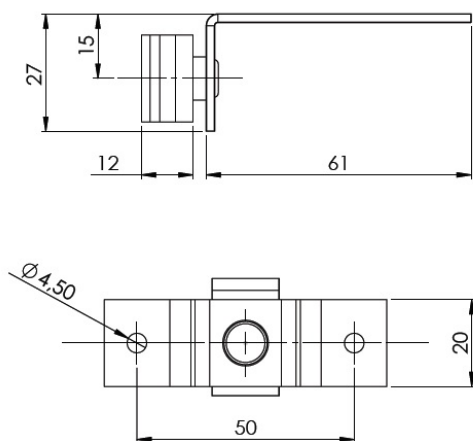
Description:

Pivot Bearing F/Butterfly Table Leaves, Steel, Bright Zinc Plated (1 set= 2 Mounting Bracket + 2 L-Bracket)

Item number:

24.08.000-0

Units	Box	Carton	HS Code	Barcode
Set	50	200	8302420090	
				5704866089074



SISO A/S

Mileparken 11
DK-2740 Skovlunde
Denmark
VAT: 24786013

Phone +45 45 830 900

www.siso.dk
siso@siso.dk

Danske Bank
Nytorv Branch
Copenhagen
SWIFT: DABADKKK

Account no.
4180 3112 112936
IBAN Account
DK7230003112112936